

Hinges

consisting of three parts / Steel

SPECIFICATION

Type

Type **A**: Fixing from the front side

Steel zinc plated, blue passivated **ST**

Pin

Brass, nickel plated

Washer

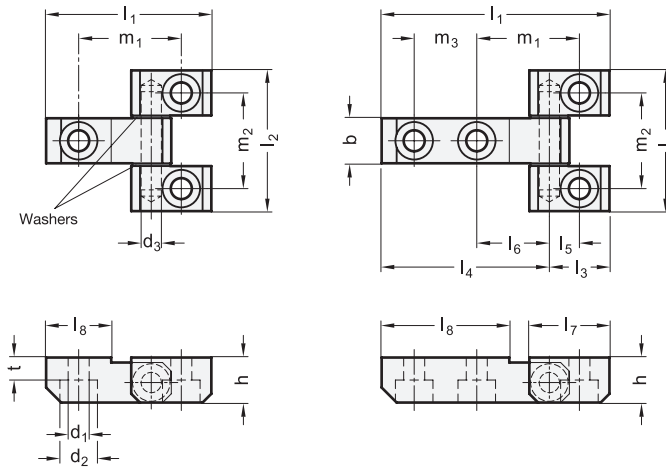
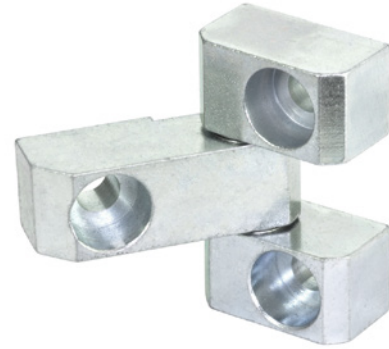
Brass, nickel plated

INFORMATION

Hinges GN 129.3 are used for doors which are flush with the frame on the outside. Once assembled, they cannot be unhinged. The hinges are fastened with socket cap screws DIN 912. This allows arbitrary wall thicknesses on the housing or door to be realized with the existing thread or using through-holes.

TECHNICAL INFORMATION

- List of hinges types (see page 1362)



GN 129.3

Description	l1	l2	b	d1	d2	d3	h	l3	l4 max.	l5	l6 max.	l7	l8	m1	m2	m3	t	△
GN 129.3-66-55-A-ST	66	55	18	8.4	15	8	18	24	42	12	29	32	26	41	37	-	9	228
GN 129.3-91-55-A-ST	91	55	18	8.4	15	8	18	24	67	12	29	32	51	41	37	25	9	271